



**Electrolux**  
PROFESSIONAL

**Modular Cooking Range Line  
thermaline 80 - 1000 mm Electric  
Warming Cabinet with 2 doors, GN  
conform, 1 Side (H2) - H=550**

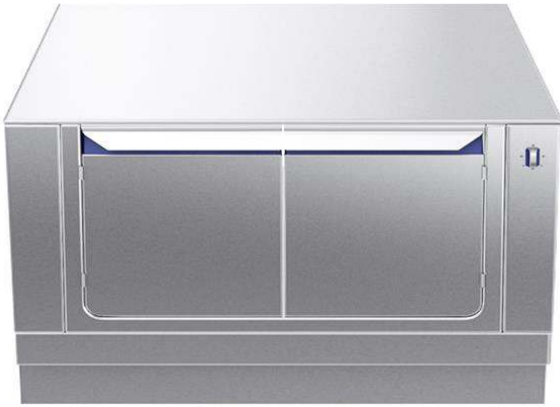
ITEM # \_\_\_\_\_

MODEL # \_\_\_\_\_

NAME # \_\_\_\_\_

SIS # \_\_\_\_\_

AIA # \_\_\_\_\_



588316 (MA4HDAJOAO)

Electric warming cabinet,  
with 2 doors, one-side  
operated, GN - H2

### Short Form Specification

**Item No.** \_\_\_\_\_

1000 mm wide warming cabinet with 2 doors, constructed according to DIN 18860\_2 with 70 mm recessed plinth. Internal frame for heavy duty sturdiness in 2 mm and 3 mm in 1.4301 (AISI 304). 2 mm top in 1.4301 (AISI 304). Flat surface construction, easily cl

### Main Features

- All major components may be easily accessed from the front.
- THERMODUL connection system creates a seamless work top when units are connected to each other thus avoiding soil penetrating vital components and facilitating the removal of units in case of replacement or service.
- Unit constructed according to DIN 18860\_2 with 70 mm recessed plinth.
- Temperature in the cupboard can be set through a thermostat to suit different requirements. The maximum temperature is 110° C.
- Unit can be installed below modular top appliances, designed to keep plates warm.

### Construction

- IPX5 water resistance certification.
- 2 mm top in 1.4301 (AISI 304).
- Flat surface construction with minimal hidden areas to easily clean all surfaces
- Storage space in the base of the appliance accepts GN1/1 containers.
- Internal frame for heavy duty sturdiness in stainless steel.

### Optional Accessories

- Stainless steel side panel (12mm), 800x800mm, freestanding PNC 912508
- Stainless steel front kicking strip, 1000mm width PNC 912600
- Stainless steel side kicking strips left and right, freestanding, 800mm width PNC 912619
- Stainless steel side kicking strips left and right, wall mounted, 800mm width PNC 912622
- Stainless steel side kicking strips left and right, back-to-back, 1600mm width PNC 912625
- Stainless steel plinth, against wall, 1000mm width PNC 912808
- Stainless steel plinth, freestanding, 1000mm width PNC 912827
- Stainless steel panel (12mm) 800x800mm, against wall, left side PNC 913094
- Stainless steel panel (12mm) 800x800mm, flush-fitting, against wall, right side PNC 913098
- Back panel, 1000x550mm, for bases and units, one-side operated PNC 913184
- Stainless steel side panel, left, h=800 PNC 913216
- Stainless steel side panel, right, h=800 PNC 913217

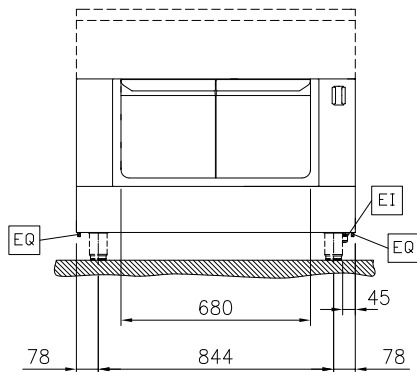
APPROVAL: \_\_\_\_\_



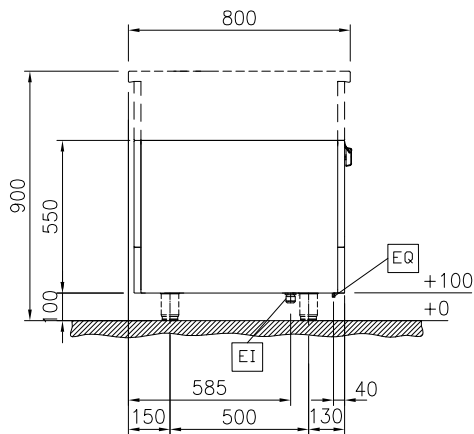
Experience the Excellence  
[www.electroluxprofessional.com](http://www.electroluxprofessional.com)

- |  |            |                          |
|--|------------|--------------------------|
| • - NOT TRANSLATED -   | PNC 913235 | <input type="checkbox"/> |
| • - NOT TRANSLATED -   | PNC 913244 | <input type="checkbox"/> |
| • - NOT TRANSLATED -   | PNC 913257 | <input type="checkbox"/> |
| • - NOT TRANSLATED -   | PNC 913264 | <input type="checkbox"/> |
| • - NOT TRANSLATED -   | PNC 913266 | <input type="checkbox"/> |
| • - NOT TRANSLATED -   | PNC 913273 | <input type="checkbox"/> |
| • - NOT TRANSLATED -   | PNC 913274 | <input type="checkbox"/> |
| • - NOT TRANSLATED -   | PNC 913283 | <input type="checkbox"/> |
| • STAINLESS STEEL DIVIDING PANEL<br>800X800MM LEFT/RIGHT   | PNC 913669 | <input type="checkbox"/> |
| • ELECTRIC MAINSWITCH 25A 4mm <sup>2</sup><br>NM FOR MODULAR H800 ELECTRIC<br>UNITS (FACTORY FITTED) | PNC 913676 | <input type="checkbox"/> |
| • - NOT TRANSLATED -   | PNC 913685 | <input type="checkbox"/> |

Front

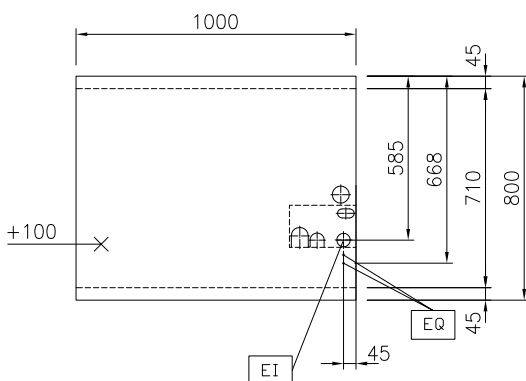


Side



EI = Electrical inlet (power)

Top



### Key Information:

External dimensions, Width:	
588316 (MA4HDAJOAO)	1000 mm
External dimensions, Depth:	800 mm
External dimensions, Height:	550 mm
Cupboard Cavity Dimensions (width):	680 mm
Cupboard Cavity Dimensions (height):	330 mm
Cupboard Cavity Dimensions (depth):	715 mm
Cabinet temperature range:	30-110 °C
Net weight:	32 kg

### Sustainability

Current consumption:	5 Amps
----------------------	--------